

# GIRARE2

Girare2 is a system sofa based on a unified 920mm module. This composition set in combination, gives the person a rhythmic impression and creates a living space with more movement from assorted cushions. The thinner seating cushion creates a proportion with a low center of gravity, enhancing the space. In addition, by utilizing the base, it is possible to connect the sofa to increasing the overall height by 45mm.



L type×2 (Fabric)

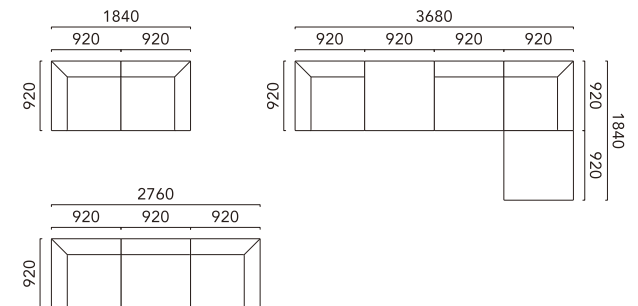


L type×2 + I type + Stool + One Arm 1380 R (Fabric)  
Base L×2 + One Arm 1380 Base  
B490 Square Cushion×4 (Fabric)



- By using the separately sold base, the overall height can be increased by 45mm.
- "Base L" can join two items other than "One Arm 1380".
- Please note: "One Arm 1380 Base" is a dedicated base for "One Arm 1380". This base cannot be used with other items.

## LAYOUT PATTERN



## BASE



**WA/BK**  
[Solid white ash  
Black]



MDI urethane



Full covering



Combination



Leather upholstery

# GIRARE2

## L type

W.920 D.920 H.570 SH.330



## I type

W.920 D.920 H.570 SH.330



## Stool

W.920 D.920 H.330



## One Arm 1380

W.1380 D.920 H.570 SH.330



### ALL ITEMS

• Body frame : Plywood Tension material : Webbing tape Cushion material : Feather pad, MDI urethane foam, Polyester cotton Legs : ABS

## Base L

W.1740 D.820 H.70



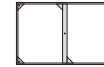
## Base S

W.820 D.820 H.70



## One Arm 1380 Base

W.1280 D.820 H.70



### BASE

• Main frame material : Solid white ash